

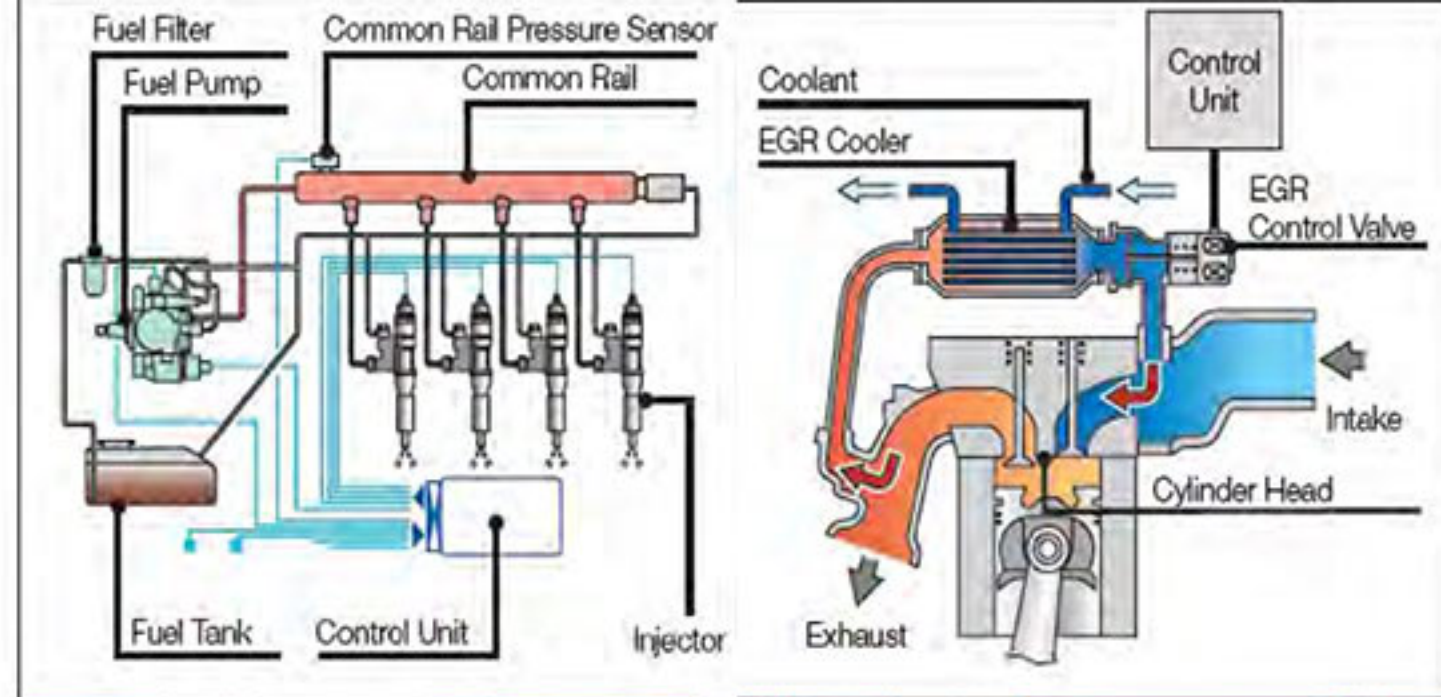
CF 8 SERIES

40th
1976
2016
anniversary



High Performances with Less Fuel Consumption

The new performant hydraulic plants give more power to increase the productivity. The LOAD SENSING VALVE permits to feed the movements which are activated, adapting instantly to the oil flow, allowing a consumption reduction. The oil and filters change intervals have been extended, reducing maintenance time and expenses. The engine control unit drives the fuel pump at an ultrahigh pressure to inject the fuel into the cylinders through a common rail device. The cooler EGR system mixes exhaust gasses with intake air for a re-combustion, lowering combustion temperature and reducing fuel consumption. The new engines comply with the US norms TIER 4 and the EU Euro 4.



Worldwide Service

Our technical support service provides quick access to factory expertise, while our commercial team is always on hand to provide fast and competitive quotes. Our service network covers over 25 countries all over the world.



Easy Maintenance

Routine maintenance is essential for keeping unscheduled downtime to an absolute minimum and ensuring the overall reliability of your machine, but it can be difficult finding the time to carry out regular checks on busy construction sites. The new bases has been designed with time-saving, conveniently accessible features that will make it easy for you to perform routine service and cleaning procedures, so you can get the machine back to work as quickly as possible.



Comfortably in control

The new cabs provided with air conditioning, radio-CD player, multifunction LCD monitor and an absorbing and eating seat, guarantee a comfortable position and ensures an excellent view of the working area. Through the multifunction monitor (optional) the operator can check all the machine parameters and can start the rear view by a camera. The cabs are also protected by new system Center Pillar Reinforced Structure. Our machines are provided with an electronic device which measures the drilling depth and can be equipped also with the mast automatic alignment device which improves the verticality of the pile.





CF8

JCB

JCB

CF8

T4i MIB

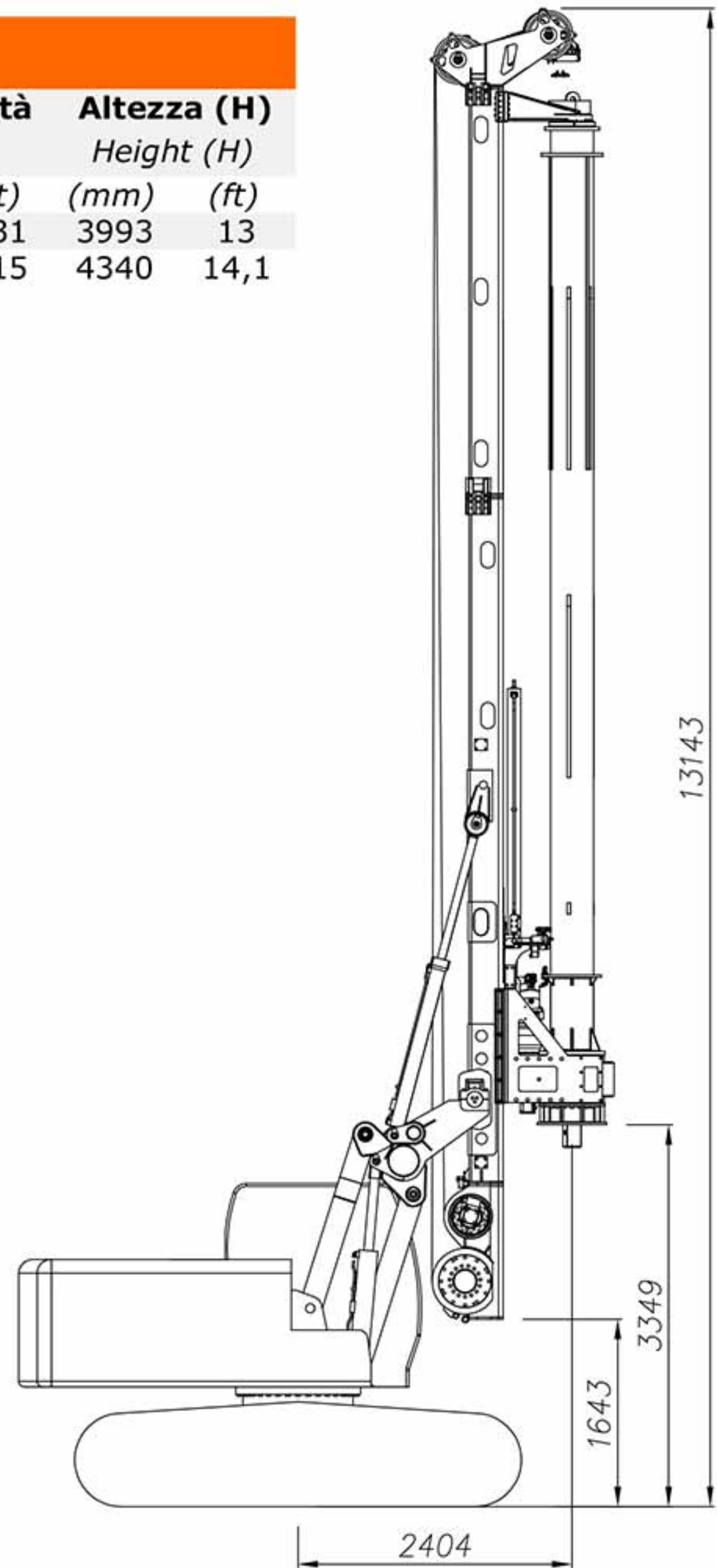
90 AK94

Base		Base			
Tipo	Type	Hitachi ZX160-5 LC			
Motore Diesel Tier4	Diesel engine Tier4	Isuzu AM-4JJ1X COMMON RAIL			
Potenza 2200 rpm	Rated power 2200 rpm	90,2	kW	121	HP
Capacità serbatoio carburante	Fuel tank capacity	320	l	85	gal
Base		Base			
Tipo	Type	JCB JS160 LC			
Motore Diesel Tier4	Diesel engine Tier4	JCB EcoMAX 444 TCA 93 EU			
Potenza 2200 rpm	Rated power 2200 rpm	93,0	kW	125	HP
Capacità serbatoio carburante	Fuel tank capacity	220	l	58	gal
Sottocarro		Undercarriage			
Larghezza cingoli standard	Standard Track width	2490	mm	8,2	ft
Larghezza cingoli allargabile	Expanding Track width	2490 - 3390	mm	8,2 - 11,15	ft
Lunghezza cingoli	Track length	3920	mm	12,9	ft
Larghezza pattini	Shoe width	500	mm	1,6	ft
Velocità di traslazione	Traveling speed	5,5	Km/h	3,4	mph
Velocità di rotazione torretta	Swing speed	4,5 rpm			
Impianto idraulico		Hydraulic plant			
Valvola load sensing	Load sensing valve				
Portata pompa principale	Main pump flow	382	l/min	100,9	gpm
Portata pompa secondaria	Auxiliary pump flow	33	l/min	8,7	gpm
Massima pressione di lavoro	Max working pressure	35	MPa	5076,3	psi
Capacità serbatoio olio	Capacity oil tank	125	l	33,0	gal
Argani idraulici		Hydraulic winches			
Argano principale	Main winch line pull	9000	daN	20,233	lbs
Argano di servizio	Service winch line pull	5000	daN	11,240	lbs
Testa di rotazione idraulica		Hydraulic rotary head			
Coppia	Torque	80	kNm	59,005	ft Lbs
Velocità di perforazione	Rotation speed	7-16 rpm			
Velocità di scarico	Spin-off speed	60 rpm			
Corsa	Rotary head stroke	2500	mm	6,56	ft
Tiro martinetto pull-down	Max. extraction force	15000	daN	33,721	lbs
Spinta martinetto pull-down	Max. crowd force	23000	daN	51,706	lbs
Dimensioni di perforazione		Drilling dimensions			
Diametro massimo	Max. diameter	1300	mm	51,2	in
Diametro minimo	Min. diameter	400	mm	15,7	in
Profondità massima (carro fisso)	Max. Depth (standard track)	30	m	98,6	ft
Profondità massima (carro allargabile)	Max. Depth (expanding track)	40	m	131,4	ft
Dimensioni per il trasporto		Transport dimensions			
Altezza	Height	3180	mm	10,4	ft
Lunghezza	Length	11490	mm	37,7	ft
Larghezza	Width	2490	mm	8,2	ft
Peso (con asta da 30m)	Weight (with 30m kelly bar)	26000	kg	57,320	lbs
Peso (con asta da 40m + carro allargabile)	Weight (with 40m kelly bar + expanding track)	28500	kg	62,832	lbs
Sistemi di sicurezza		Safety system			
Cicalino in movimento	Travel buzzer				
Estintore	Fire extinguisher				
Livella sulla torre	Spirit level on the mast				
Livella in cabina	Spirit level in the cab				
Arresto fine corsa	Stroke limit system				
Arresto motore esterno cabina	Cab safety lever				

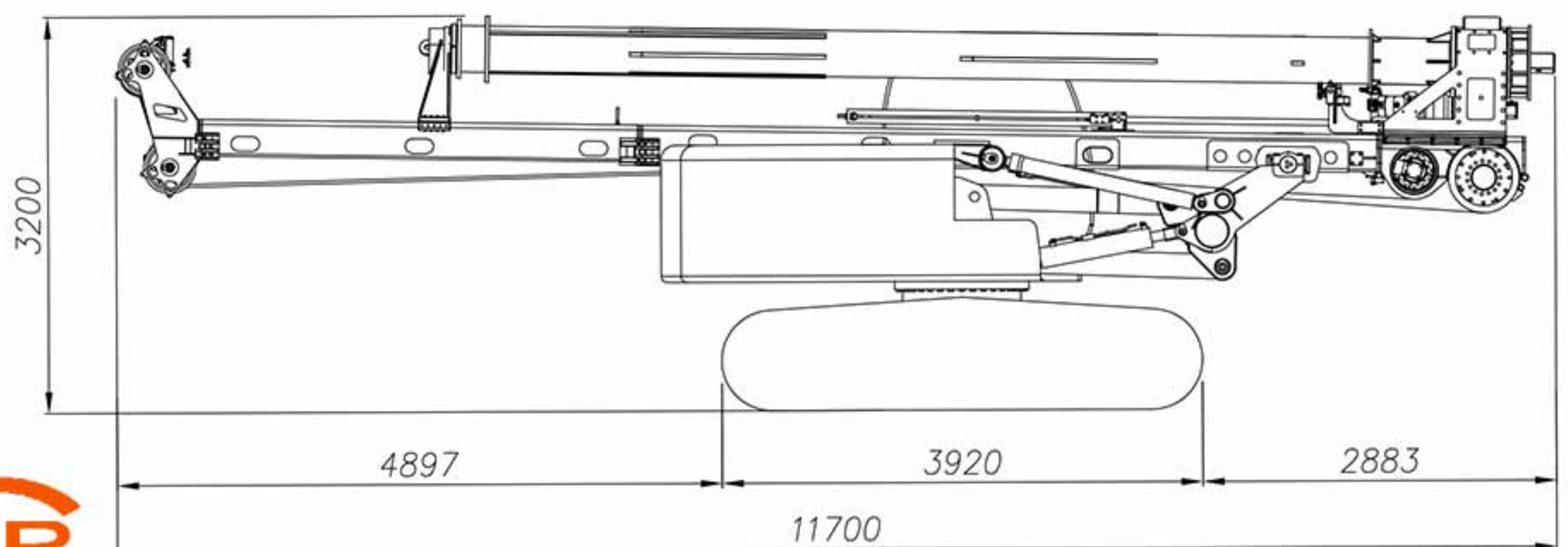
Aste a bloccaggio

Mechanical locking kelly bar

Elementi	Ø _e 1° tubo		Lunghezza (A)		Profondità		Altezza (H)	
Elements	Ø _e 1st tube		Length (A)		Depth		Height (H)	
	(mm)	(ft)	(mm)	(ft)	(m)	(ft)	(mm)	(ft)
5	378	1,24	9300	30,5	40	131	3993	13
5	378	1,24	8500	28,8	35	115	4340	14,1



Configurazione trasporto / Transport configuration

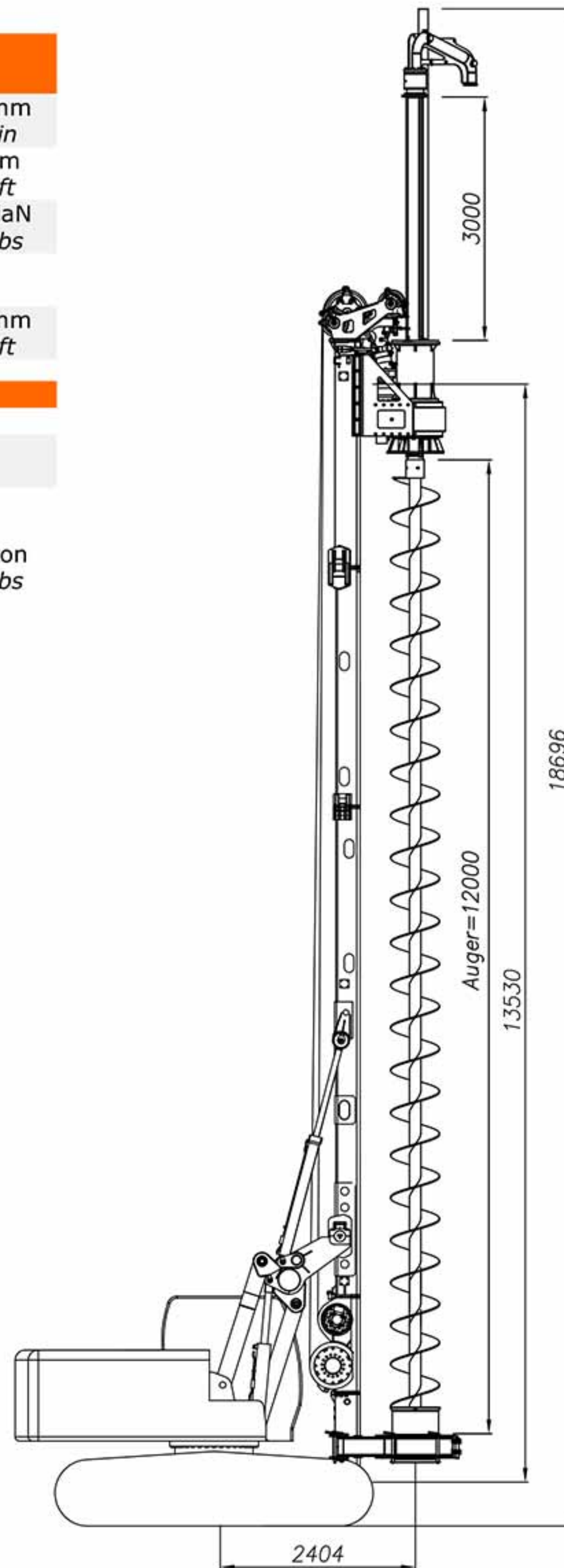


Dimensioni di scavo CFA
Borehole dimensions CFA

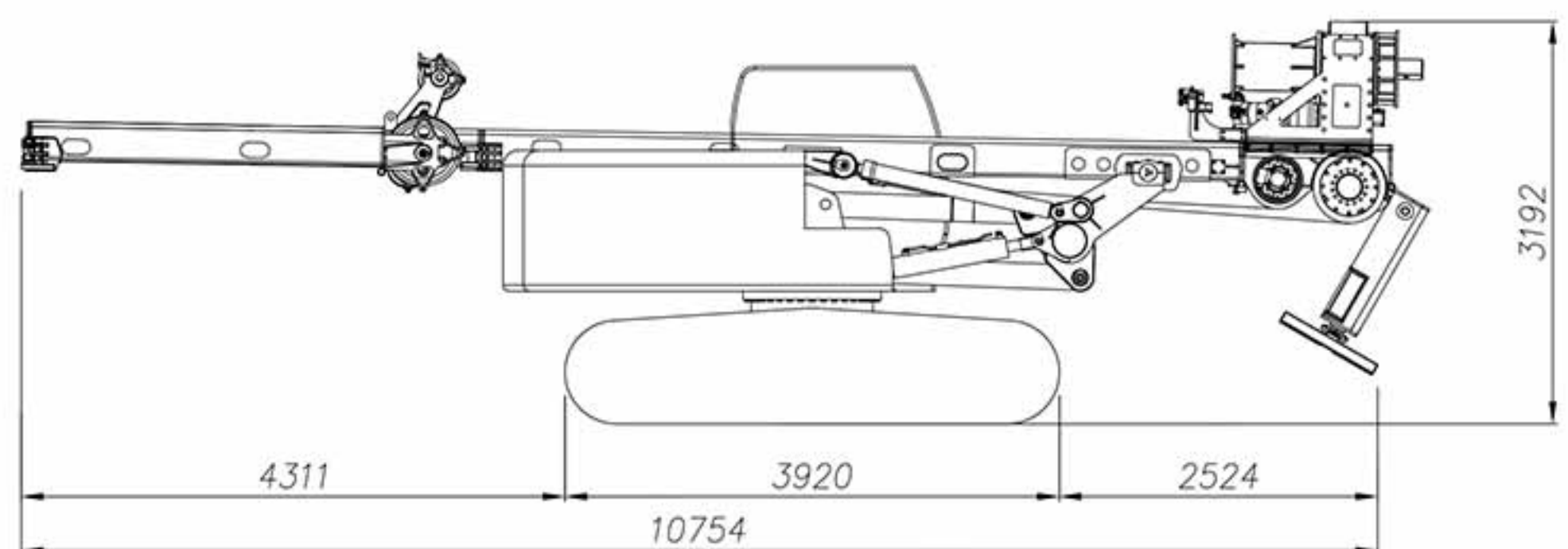
Diametro	800	mm
Diameter	31,5	in
Profondità massima	15	m
Max. depth	49	ft
Forza di estrazione (tiro in II)	18000	daN
Main winch extraction (II layer pull)	40,5	lbs
Diametro interno per passaggio cemento	5"	
Inner diameter for cement transit	5"	
Tubo prolunga elica	3000	mm
Auger pipe extention	9,84	ft

Optional:

Pulitore eliche (tipo a stella)		
Auger cleaner (star type)		
Computer di bordo per i parametri di perforazione		
On board data logger for drilling parameters		
Spinta argano pull down	3	ton
Pull down winch crowd	6613	lbs



Configurazione trasporto / Transport configuration





TES CAR SRL

(Head Office)

Via Flaminia II, 18

60027 Osimo(AN) - Italy

Tel. +39.071.7231883

Tel. +39.071.714372

Fax. +39.071.714416

Website. www.tescar.com

E-mail. info@tescar.com



Proud to be the main inspiration for our competitors since 1976

I dati forniti in questo catalogo sono puramente indicativi soggetti a modifiche senza preavviso.
All technical data in this brochure are purely indicative and subject to change without notice.

Rivenditore di zona / Local dealer:

